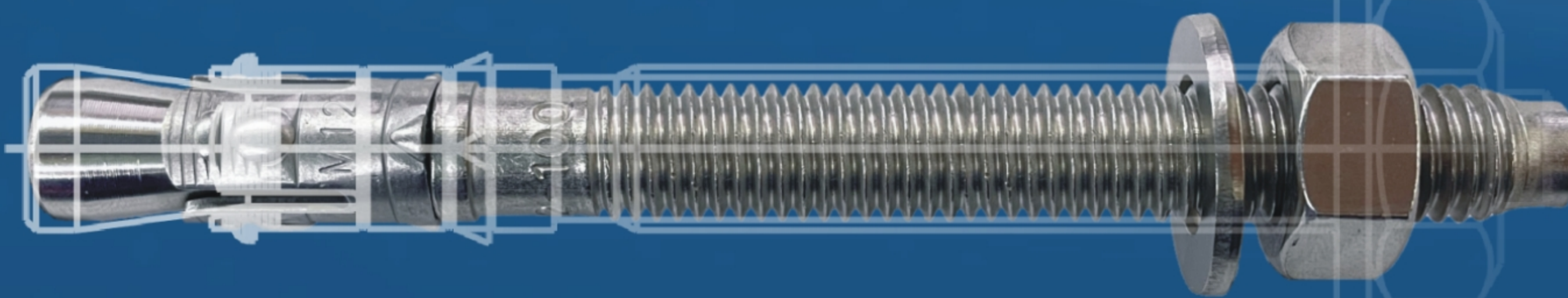
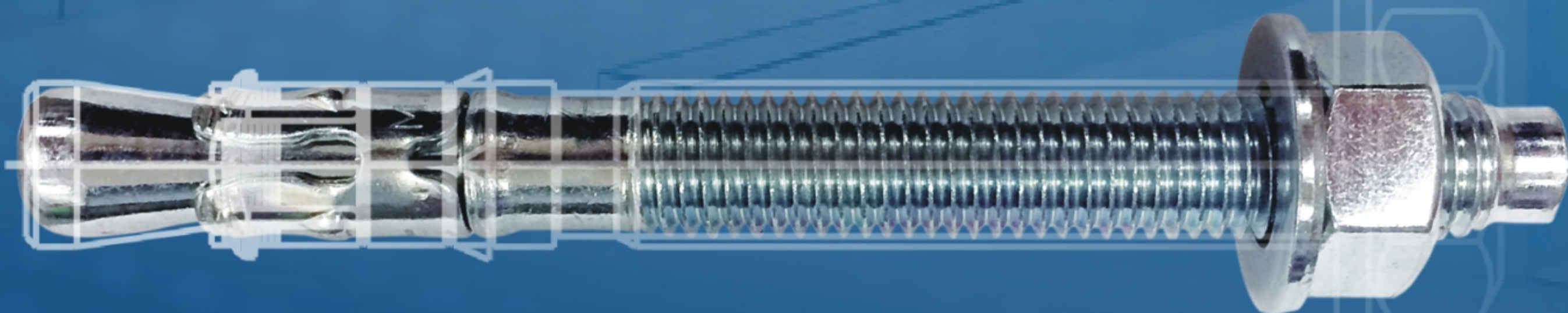
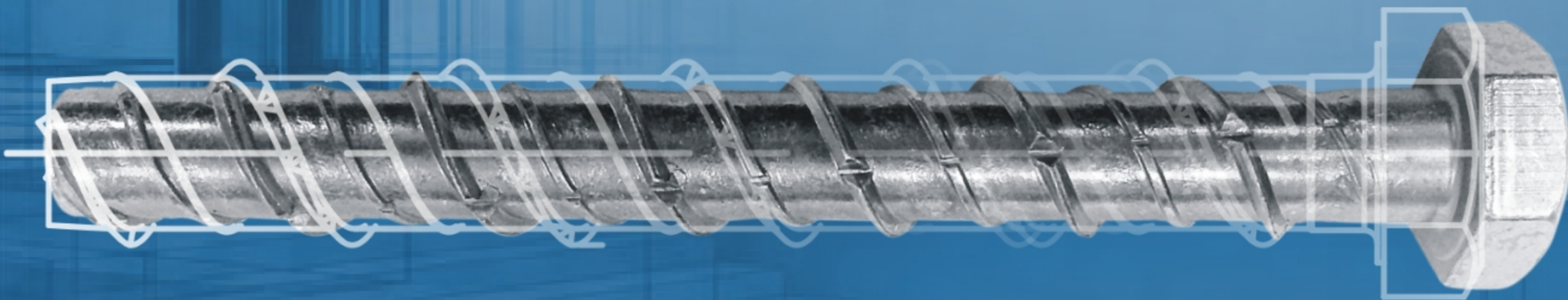
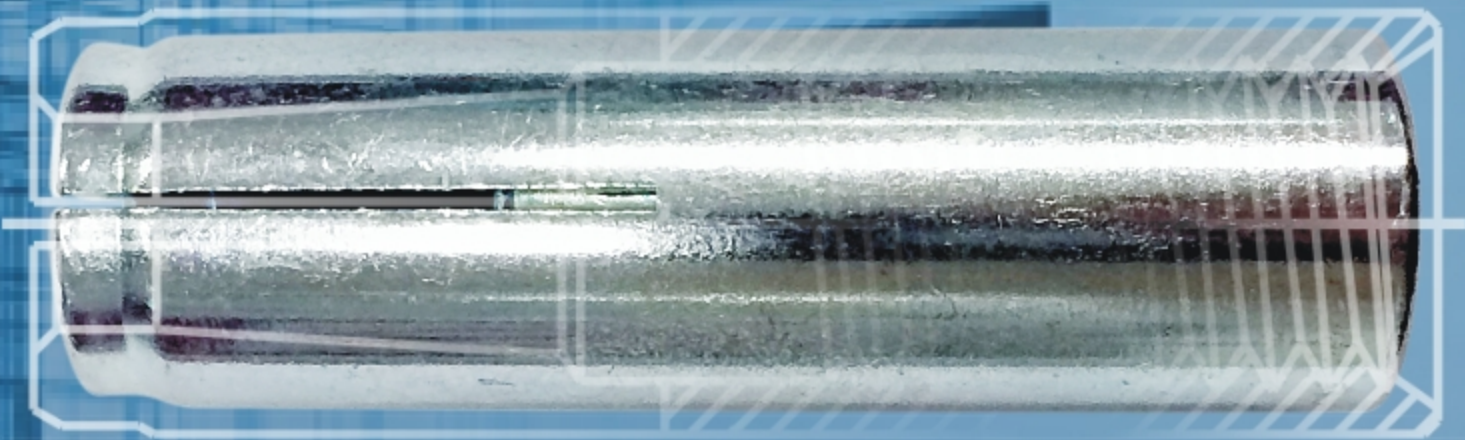


Anchor Fasteners



Anchor Fasteners Industrial Co., Ltd.

106, Lane 485, Kangyen Road, Kangshan, Kaohsiung 82060, Taiwan

Tel: 886-7-6227799

E-mail: sales@anchorfast.com.tw

Fax: 886-7-6224676 / 6223606

[Http://www.anchorfast.com.tw](http://www.anchorfast.com.tw)



ADA Drop-in Anchor



- LIPPED TYPE -



non-cracked concrete multiple use

Dimensions

Size	option 7 (part 4)	Multiple Use (part 6)	Resistance to fire	Reference tension[KN*]
M6XØ8X25L	✓	✓	✓	9.86
	✓	✓	✓	8.94
M8XØ10X25L		✓	✓	10.12
		✓	✓	7.60
M8XØ10X30L	✓	✓	✓	9.93
	✓	✓	✓	8.97
M8XØ10X40L	✓	✓	✓	11.35
	✓	✓	✓	9.21
M10XØ12X25		✓	✓	11.39
		✓	✓	10.36
M10XØ12X30	✓	✓	✓	14.90
	✓	✓	✓	12.07
M10XØ12X40	✓	✓	✓	14.64
	✓	✓	✓	13.82
M12X15X25		✓	✓	10.62
		✓	✓	10.75
M12X15X50	✓	✓	✓	21.27
	✓	✓	✓	19.79
M16X20X65	✓	✓	✓	33.47
	✓	✓	✓	24.19

*Average value for testing on C20/25

Material

Anchor Sleeve	Cold formed steel - Galvanized & Stainless steel
Ancho Plug	Cold formed steel - Galvanized & Stainless steel



Anchor Fasteners Industrial Co., Ltd.

106, Lane 485, Kangyen Road, Kangshan, Kaohsiung 82060, Taiwan

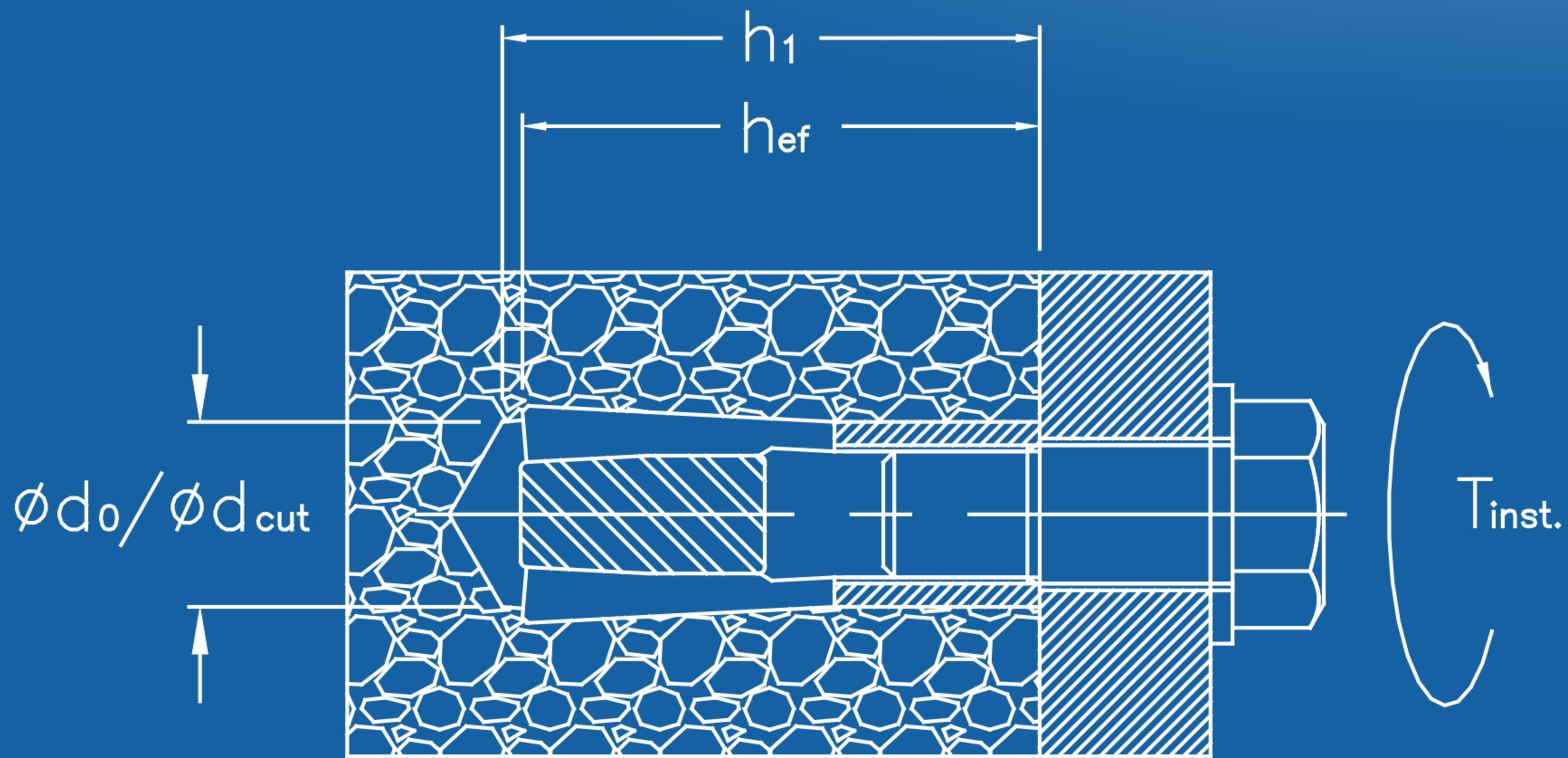
Tel: 886-7-6227799

E-mail: sales@anchorfast.com.tw

Fax: 886-7-6224676 / 6223606

Http://www.anchorfast.com.tw

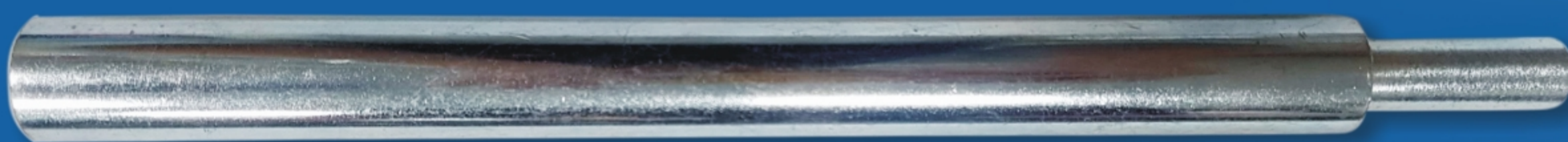




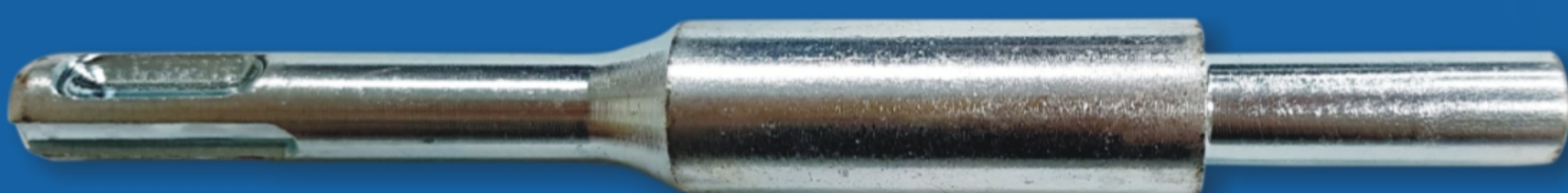
Installation Parameters

		M6	M8	M10	M12	M16
Nom. Drill hole diameter	ϕd_0 [mm] =	8.00	10.00	12.00	15.00	20.00
Max. Cutting diameter of drill bit	ϕd_{cut} [mm] \leq	8.45	10.45	12.45	15.50	20.50
Depth of drill hole	h_1 [mm] \geq	25.00	30.00	40.00	50.00	65.00
Effective anchorage depth	h_{ef} [mm] \geq	25.00	30.00	40.00	50.00	65.00
Installation moment	T_{inst} [Nm] =	4.00	8.00	15.00	35.00	60.00

Manual Setting Tool



Mechanical Setting Tool



Anchor Fasteners Industrial Co., Ltd.

106, Lane 485, Kangyen Road, Kangshan, Kaohsiung 82060, Taiwan

Tel: 886-7-6227799

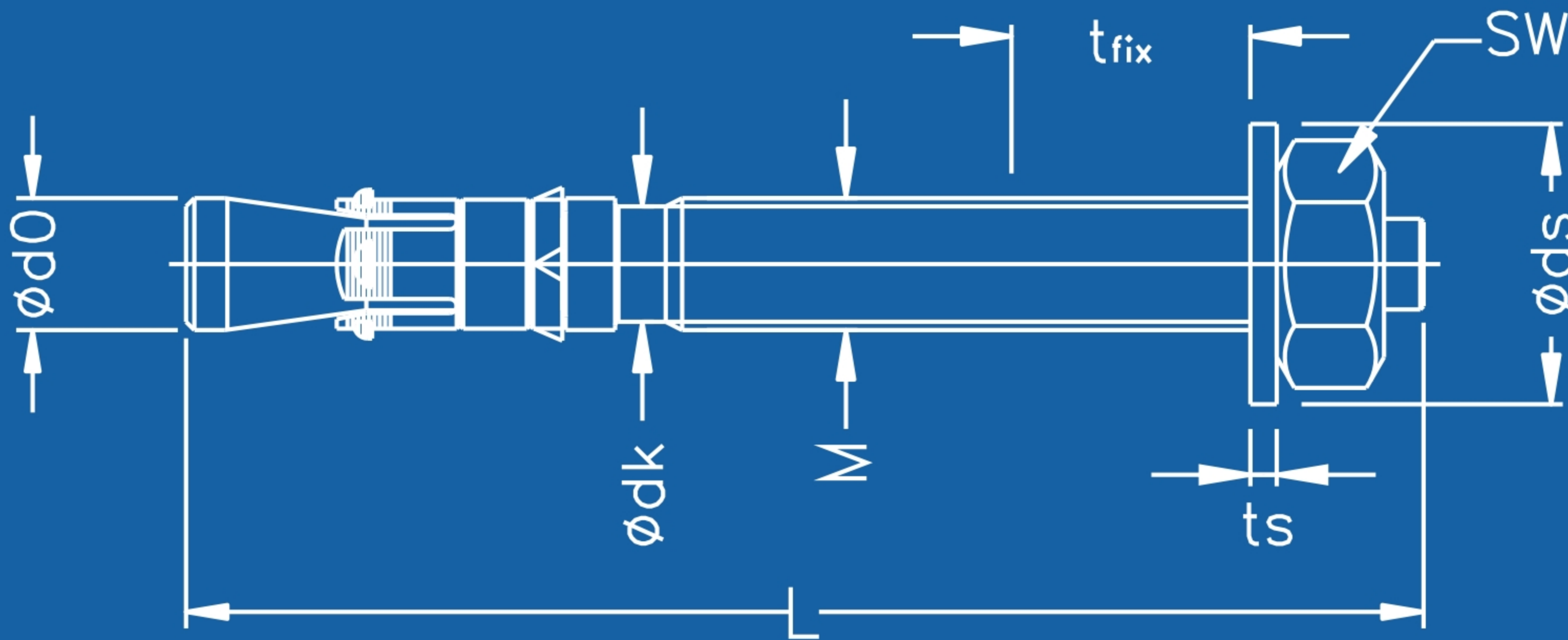
E-mail: sales@anchorfast.com.tw

Fax: 886-7-6224676 / 6223606

[Http://www.anchorfast.com.tw](http://www.anchorfast.com.tw)



AWA Wedge Anchor



non-cracked concrete

Dimensions

		AWA M8	AWA M10	AWA M12	AWA M16
Bolt	Ød ₀	8.00	10.00	12.00	16.00
	Ød _k	7.05	8.90	10.70	14.60
Washer	t _s	1.60	2.00	2.50	3.00
	Ød _s	17.00	21.00	24.00	30.00
Hexagon Nut	SW	13	17	19	24
Thickness of fixture t _{fix}	Min ≤	0	0	0	0
	Max ≥	210	260	315	400
Length of anchor	L _{min}	71	89	102	126
	L _{max}	285	350	420	530
Reference tension	[KN*]	9	12	16	30

*Average value for testing on C20/25

Material Cold formed steel -Galvanized



Anchor Fasteners Industrial Co., Ltd.

106, Lane 485, Kangyen Road, Kangshan, Kaohsiung 82060, Taiwan

Tel: 886-7-6227799

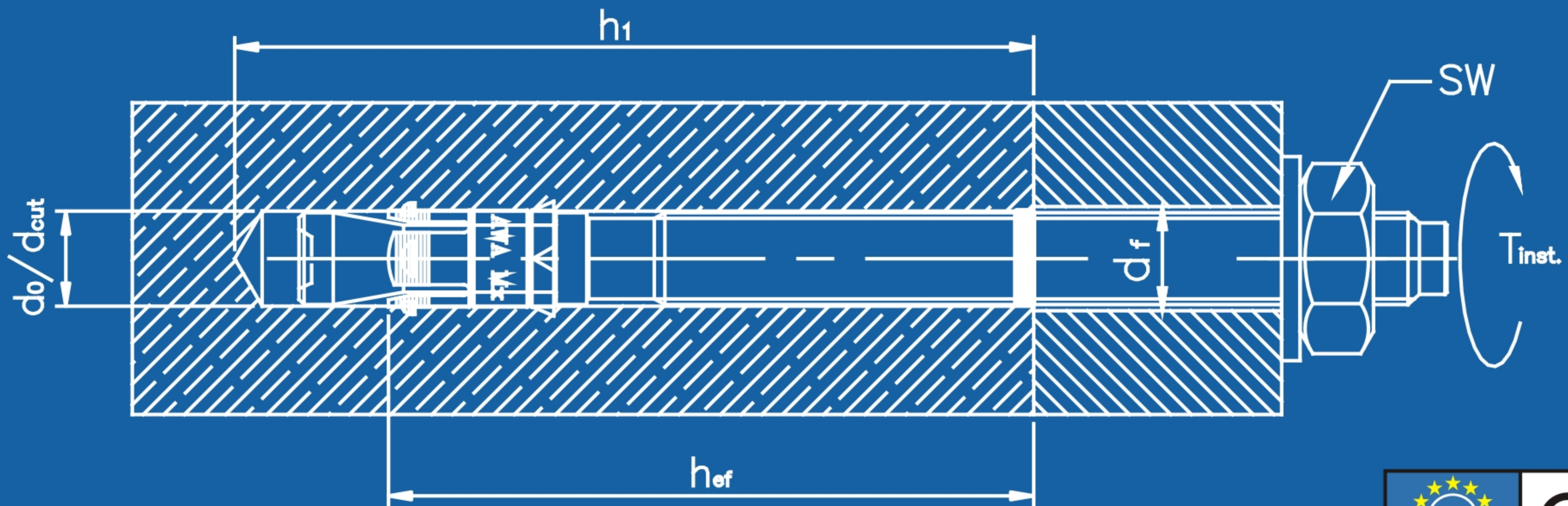
E-mail: sales@anchorfast.com.tw

Fax: 886-7-6224676 / 6223606

Http://www.anchorfast.com.tw



AWA Wedge Anchor



non-cracked concrete

Installation Parameters

			AWA M8	AWA M10	AWA M12	AWA M16
Nominal drill hole diameter	$d_0 =$	[mm]	8.00	10.0	12.00	16.00
Cutting diameter of drill bit	$d_{cut} \leq$	[mm]	8.45	10.45	12.50	16.50
Effective anchorage depth	$h_{ef} \geq$	[mm]	45	60	70	85
Depth of drill hole	$h_1 \geq$	[mm]	65	80	95	115
Diameter of clearance hole in the fixture	$d_f \leq$	[mm]	9.00	12.00	14.00	18.00
Required torque moment	T_{inst}	[Nm]	15	45	80	130
Wrench size	SW	[-]	13	17	19	24

Material Cold formed steel -Galvanized



Anchor Fasteners Industrial Co., Ltd.

106, Lane 485, Kangyen Road, Kangshan, Kaohsiung 82060, Taiwan

Tel: 886-7-6227799

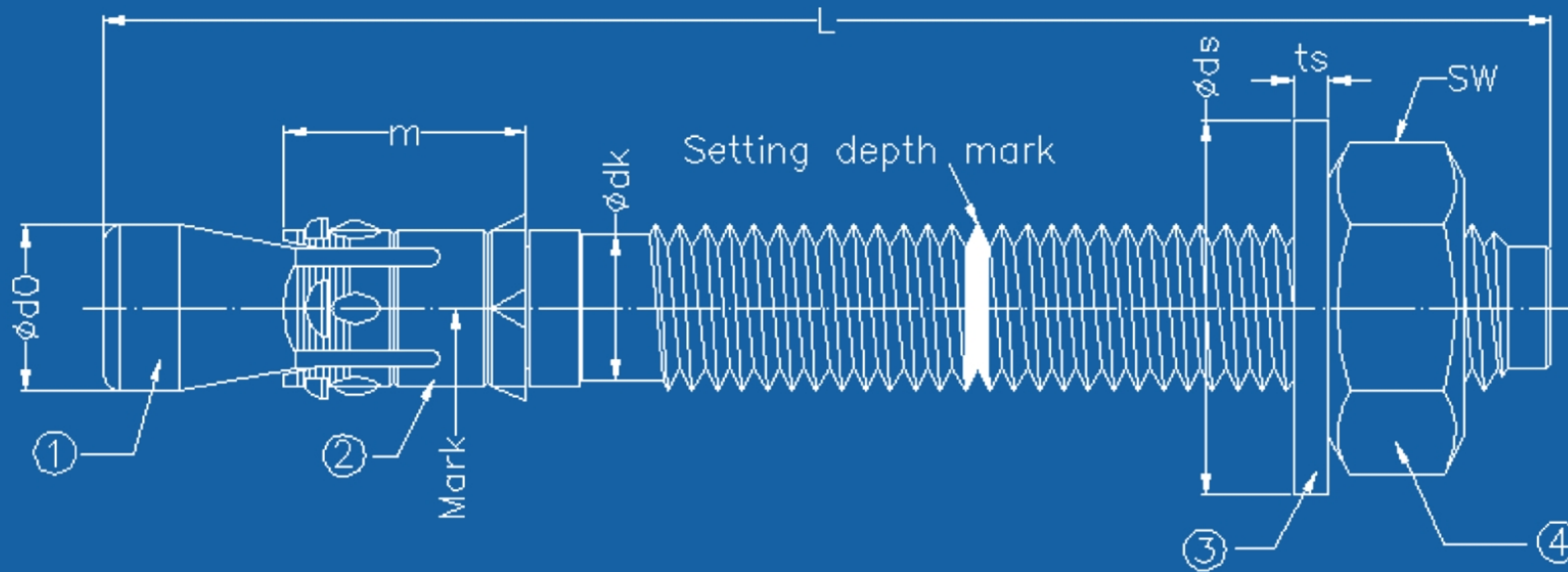
E-mail: sales@anchorfast.com.tw

Fax: 886-7-6224676 / 6223606

[Http://www.anchorfast.com.tw](http://www.anchorfast.com.tw)



AWA Wedge Anchor



Dimensions

non-cracked concrete

		AWA M8	AWA M10	AWA M12	AWA M16
Bolt	$\text{Ø}d_0$	8.00	10.00	12.00	16.00
	$\text{Ø}d_k$	7.05	8.90	10.70	14.60
Washer	t_s	1.60	2.00	2.50	3.00
	$\text{Ø}d_s$	17.00	21.00	24.00	30.00
Hexagon Nut	SW	13	17	19	24
Length of anchor	L_{\min}	65	90	100	125
	L_{\max}	160	180	200	220
Reference tension	[KN*]	9	12	16	30

*Average value for testing on C20/25



Material Stainless steel



Anchor Fasteners Industrial Co., Ltd.

106, Lane 485, Kangyen Road, Kangshan, Kaohsiung 82060, Taiwan

Tel: 886-7-6227799

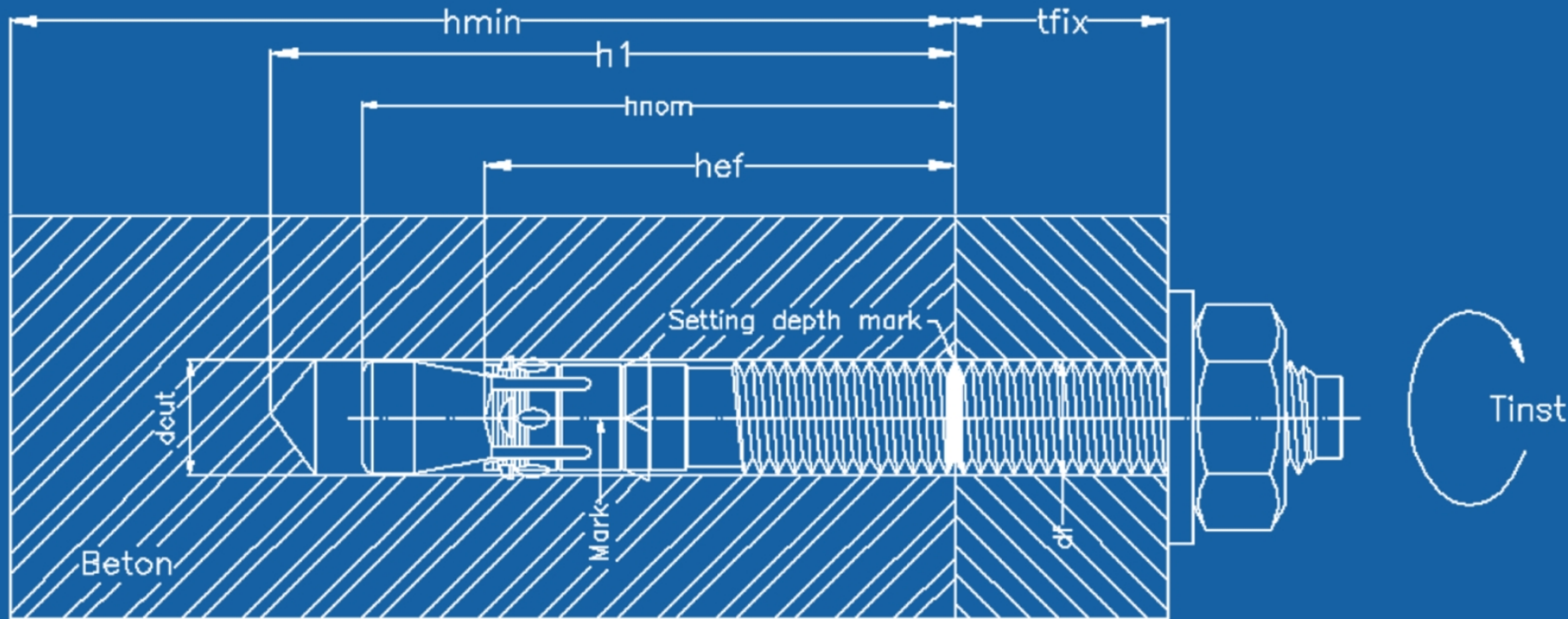
E-mail: sales@anchorfast.com.tw

Fax: 886-7-6224676 / 6223606

[Http://www.anchorfast.com.tw](http://www.anchorfast.com.tw)



AWA Wedge Anchor



Installation Parameters

non-cracked
concrete

			AWA M8	AWA M10	AWA M12	AWA M16
Nominal drill hole diameter	$d_0 =$	[mm]	8.00	10.0	12.00	16.00
Cutting diameter of drill bit	$d_{cut} \leq$	[mm]	8.45	10.45	12.50	16.50
Effective anchorage depth	$h_{ef} \geq$	[mm]	45	60	70	85
Depth of drill hole	$h_1 \geq$	[mm]	65	80	95	115
Diameter of clearance hole in the fixture	$d_f \leq$	[mm]	9.00	12.00	14.00	18.00
Required torque moment	T_{inst}	[Nm]	30	45	60	110
Wrench size	SW	[-]	13	17	19	24



Material Stainless steel



Anchor Fasteners Industrial Co., Ltd.

106, Lane 485, Kangyen Road, Kangshan, Kaohsiung 82060, Taiwan

Tel: 886-7-6227799

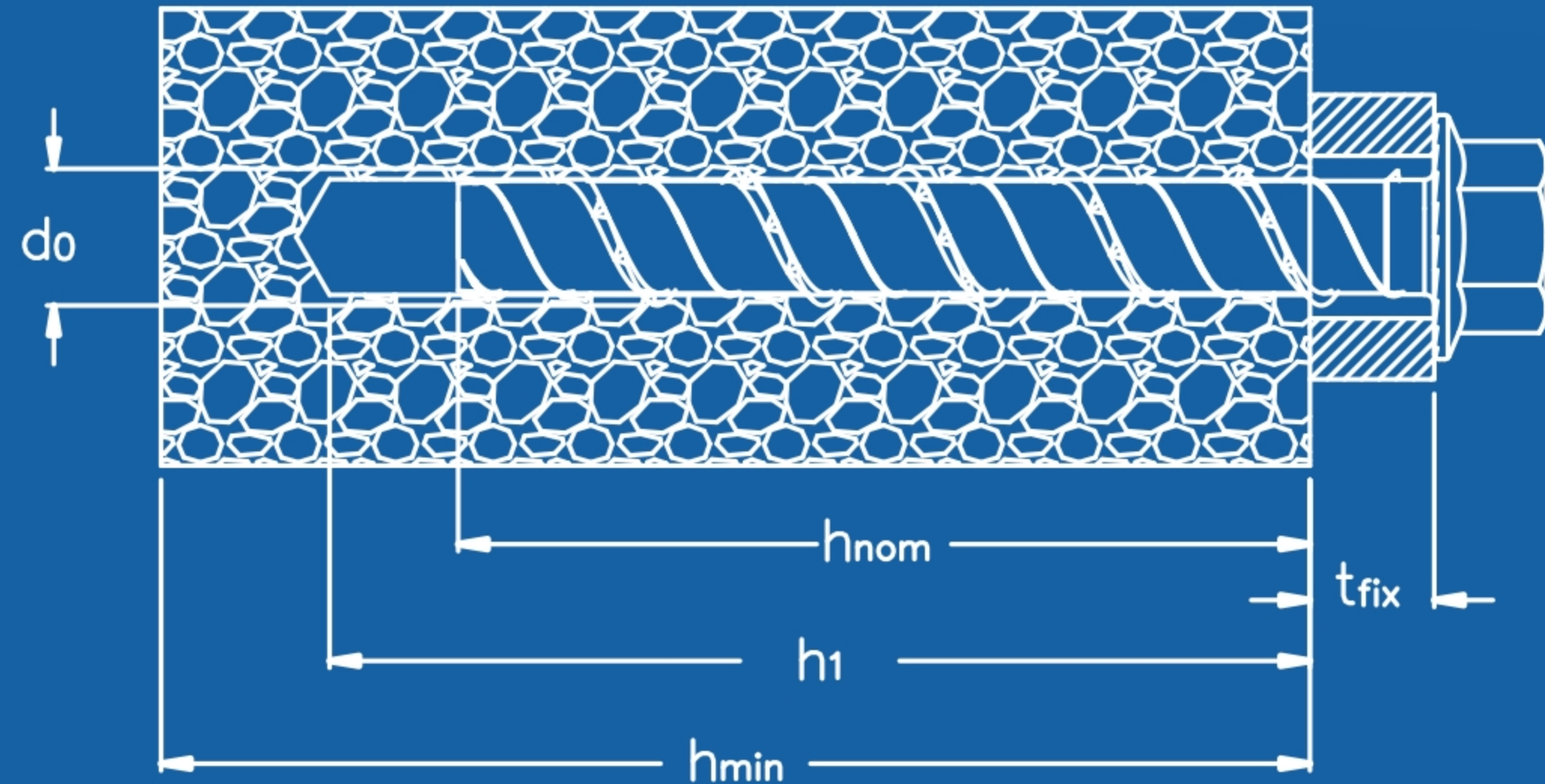
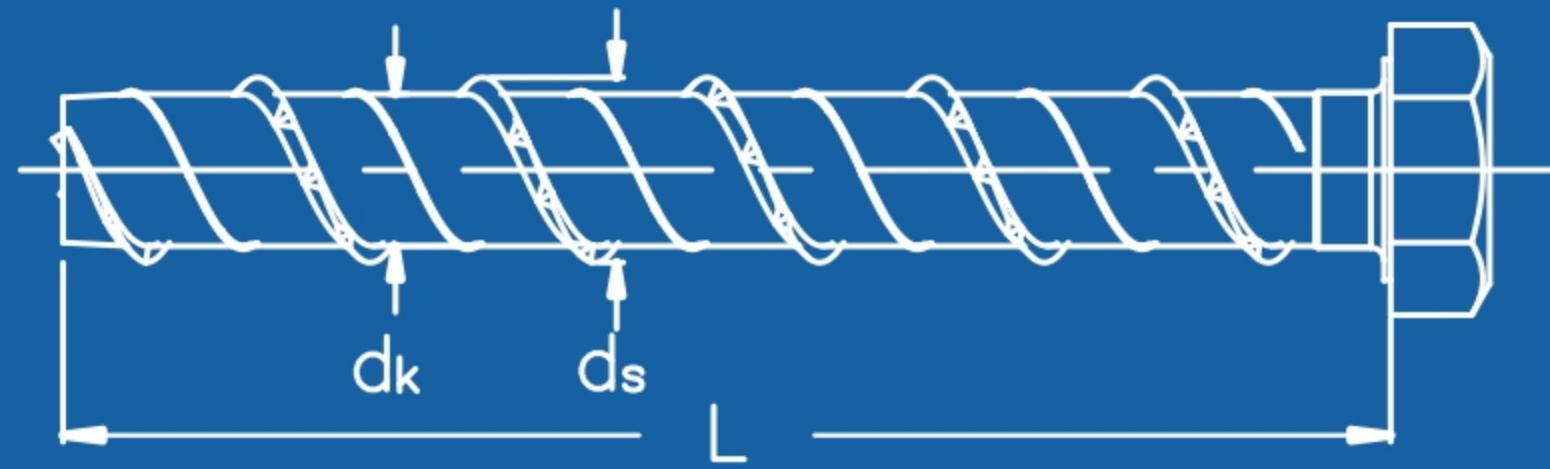
E-mail: sales@anchorfast.com.tw

Fax: 886-7-6224676 / 6223606

Http://www.anchorfast.com.tw



ACS Concrete Screw



HEAD TYPE



Hex Flange



Hex



ETA-17/0646

non-cracked concrete

Dimensions

		ACS6	ACS8	ACS10	ACS12
Length	$L \leq$ [mm]	120.00	310.00	320.00	310.00
Diameter of shaft	d_k [mm]	5.45	7.45	9.50	11.50
Diameter of thread	d_s [mm]	7.50	9.70	11.80	14.25

Installation Parameters

		ACS6	ACS8	ACS10	ACS12
Nom. Drill hole diameter	d_0 [mm] =	6.00	8.00	10.00	12.00
Nom. Anchorage depth	h_{nom} [mm] \geq	30.00	40.00	50.00	55.00
Depth of drill hole	h_1 [mm] \geq	40.00	50.00	60.00	70.00
Min. Thickness of member	h_{min} [mm] =	120.00	120.00	130.00	140.00
Thickness of fixture	t_{fix} [mm] \leq	90.00	270.00	270.00	255.00
Reference tension	[KN*]	5.22	9.98	15.05	20.09

*Average value for testing on C20/25

Material Cold formed steel -Galvanized



Anchor Fasteners Industrial Co., Ltd.

106, Lane 485, Kangyen Road, Kangshan, Kaohsiung 82060, Taiwan

Tel: 886-7-6227799

E-mail: sales@anchorfast.com.tw

Fax: 886-7-6224676 / 6223606

Http://www.anchorfast.com.tw

